

CRS010

CONSTRUCTION CONDUCTOR CARS FOR SINGLE CONDUCTOR LINES



CRS010

CRS320

CONSTRUCTION CONDUCTOR CARS FOR SINGLE CONDUCTOR LINES



CRS320

CONFIGURATION

This construction conductor car is made of light aluminium alloy and allows one person to cross or to inspect single conductor lines. The Mod. CRS010 is provided with a footrest a stationary brake a meter counter and a safety belt.

CHARACTERISTIC

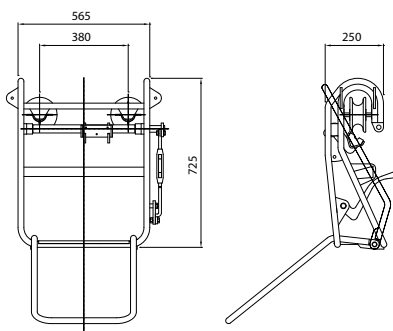
CAPACITY	100 kg
WEIGHT	13 kg

CONFIGURATION

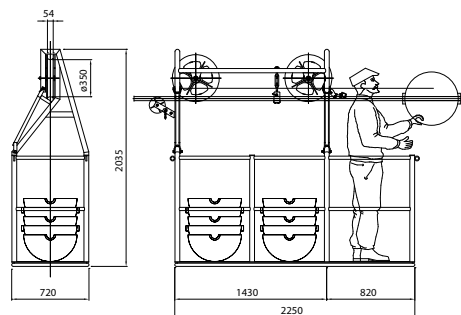
This construction conductor car is made of light aluminium alloy and allows one person to cross or to inspect single conductor lines. Complete with two aluminium neoprene lined, meter counter and stationary brake.

CHARACTERISTIC

CAPACITY	150 kg
WEIGHT	75 kg



CRS010



CRS320