



Automotive Equipment

C360 B - C320 B

EN Reversible low-profile electrohydraulic scissors lift



3600 3200



C-Line *Lifting Equipment*

Tyre Changers | Wheel Balancers | Wheel Aligners | Lifts | Miscellany



C360 B

C320 B

Automotive Equipment

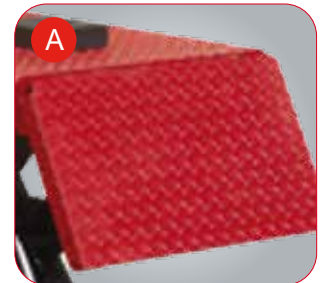
Reversible low-profile electrohydraulic scissors lift

Reversible low-profile electrohydraulic scissors lift for cars, SUVs and vans; ideal for tyre specialists, car workshops, and body repairers.

Runway levelling guaranteed by 2 sturdy anti-torsion connection bars.

- A** Runways with suspended flaps which also act as vehicle access ramps.
- B** Low voltage control unit with “dead-man” control system.

Available in on-floor and pit installation versions.



TECHNICAL DATA

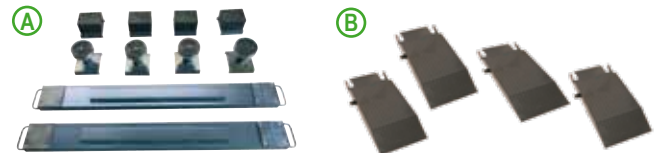
	C360 B	C320 B
Lift capacity	3600 kg	3200 kg
Lifting time	25 s	
Three phase motor	400/230V - 3kW - 3Ph - 50/60Hz	
Single phase motor	230V - 3kW - 1Ph - 50/60Hz	
Max. lifting height	1000 mm	
Lift min. height	120 mm	

ACCESSOIRES

All models are equipped with:

- Automatic engagement of mechanical safety locks with pneumatic release system
- Anti-crushing foot guard.
- Set of 4 rubber pads

STANDARD

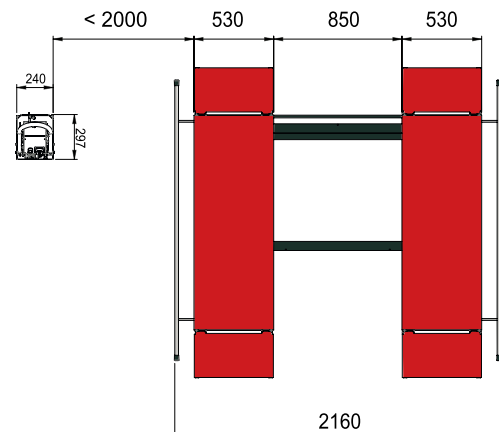
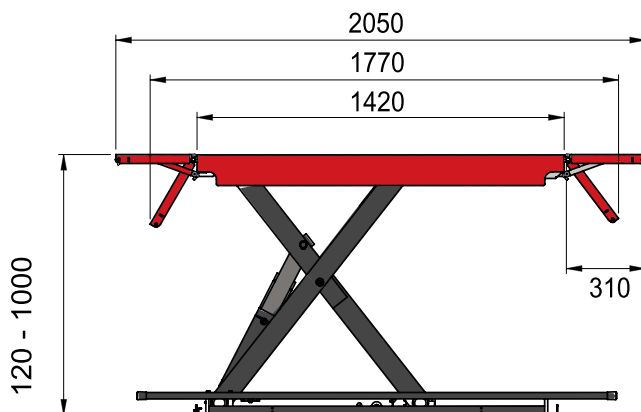


- A** Pair of cross pieces and pads for off-road vehicles
- B** Extension ramps set (4 pcs)

OPTIONAL*

For other optional accessories, refer to separate catalogue

DIMENSIONS



Photographs, features and technical data are not binding, they are subject to change without notice - Cod. DPTC000330A_Ed. 01_2023



NEXION SPA - ITALY
www.tecoautomotive.com - teco@teco.it

Designed in
ITALY

