



Automotive Equipment

HC5502 - HC4502

EN Electro-hydraulic two post lifts with top connections



C-Line

Lifting Equipment

Electro-hydraulic two post lifts with top connections

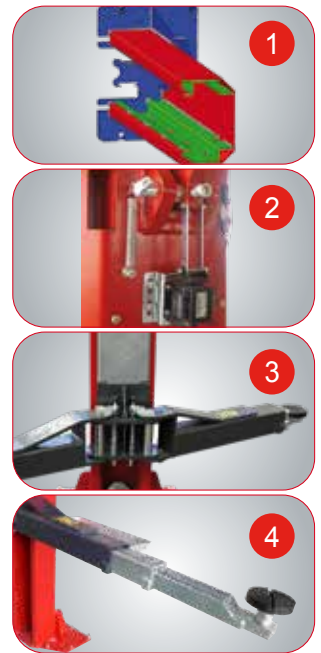
Electro-hydraulic two post lifts with top connections. Possibility of installation in **symmetrical** or **asymmetric** version. Realignment of the two carriages using metal cables that guarantee excellent synchronisation.

Standard height of two-post connection: 4,050 mm.

Available versions (with optional column extension set):

- **V**: Specific for vans (Height of two-post connection: 4,620 mm).
- **XV**: Specific for vans and very high vehicles, extra-high version (Height of two-post connection: 5,220 mm).

- 1 Internally reinforced column structure** for little bending and internal cable guiding.
- 2 Electro magnet safety release 24V**
- 3 Rubber door protections. Toothed sector arm rotation stop system**
- 4 Four three-section symmetrical arms**



TECHNICAL DATA

	HC5502	HC4502
Lift capacity	5500 kg	4500 kg
Lifting time	45 s	
Three phase motor	400/230V - 3kW - 3Ph - 50/60Hz	
Single phase motor	230V - 3kW - 1Ph - 50/60Hz	
Max. lifting height	2062 mm	
Max. locking position	1957 - 2037 mm	
Lift minimum height	115 mm	
Height connection	4050/4620/5520 mm	

OPTIONAL ACCESSORIES

- A** Column extension set
- B** 8-43300021 Set of 4 extension for pads, H=35 mm
- C** 8-43300014 Set of 4 extension for pads, H=80 mm
- D** 8-43300015 Set of 4 extension for pads, H=140 mm
- E** 8-43300016 Set of 4 adapters for Mercedes Sprinter

ACCESSOIRES

All models are equipped with:

- Safety stop-bar.
- Two set of extension pads.

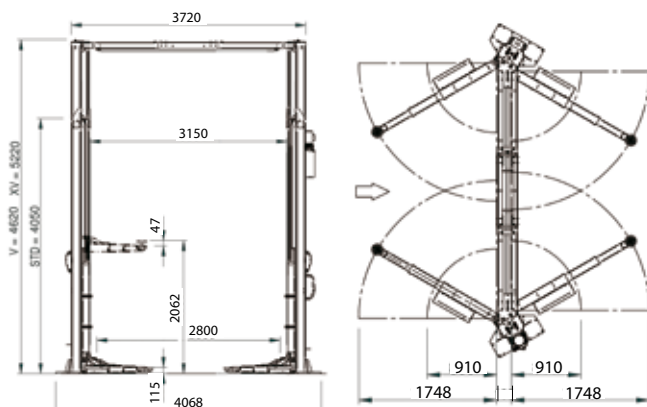


STANDARD

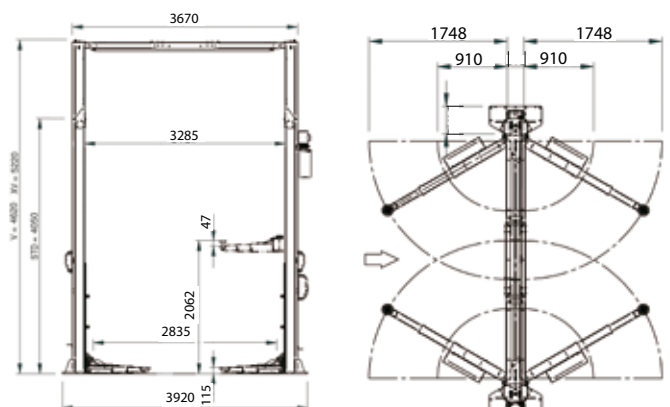
OPTIONAL* For other optional accessories, refer to separate catalogue

DIMENSIONS

TECO HC5502 Asymmetric Installation



TECO HC4502 Symmetric Installation



Photographs, features and technical data are not binding, they are subject to change without notice - Cod. DPTC000336A_Ed. 01_2023